

Mobile Imager™

Quickly transform your iOS device into a best-in-class handheld scanner with unbeatable scanning power, ergonomics, and durability.

Industry Leading Ergonomics

- Ultra-thin form factor
- Half the weight of other iOS handhelds
- Intuitively placed dual scan buttons

Unmatched Performance

- Advanced image-based scanning w/ Aila's TrueScan™ technology supports over 45 1D/2D symbologies
- Red-dot aimer/white light illumination for greater accuracy
- Learning algorithm with live error detection continuously optimizes scanning performance

Enterprise Reliability

- Designed to exceed military standards (MIL-STD 810G 4' drop on concrete)
- Fully recharges in under an hour for all day use
- Lower TCO with standard Lightning connector



Mobile Imager at a Glance

Today's mobile-enabled workforce need tools that are smart, versatile, and fast-moving. Aila's ultra-quick, precise, and lightweight Mobile Imager is designed to deliver. The Mobile Imager combines unbeatable scanning, ergonomics, and durability in half the weight of other iOS-based handhelds.



WATCH the Mobile Imager in action

BUILT FOR iOS

Engineered exclusively for iOS—the most versatile, secure, and familiar operating system—Aila's products meet the demands of the modern enterprise without the cost or bulk of legacy systems.

AILA'S PLATFORM CAPABILITIES

Develop. Deploy. Scale. Enable endless opportunities with our robust partner ecosystem, suite of developer tools and advanced image-based scanning technology.



PARTNER ECOSYSTEM



DEVELOPER TOOLS



TRUESCAN™

MOBILE IMAGER SPECIFICATIONS

OPTICS

Precision red-dot aimer with broad-spectrum illumination and glass imaging optics

POWER MANAGEMENT

Onboard processor and battery extends operation without device power drain

SENSORY FEEDBACK

Enhances iPod with acoustic, visual, and vibration-based scanning feedback

SUPERIOR SCANNING

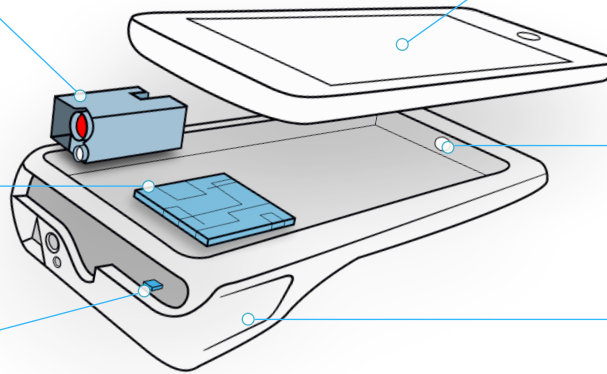
Integrated TrueScan™ captures 1D/2D barcodes

RAPID CHARGING

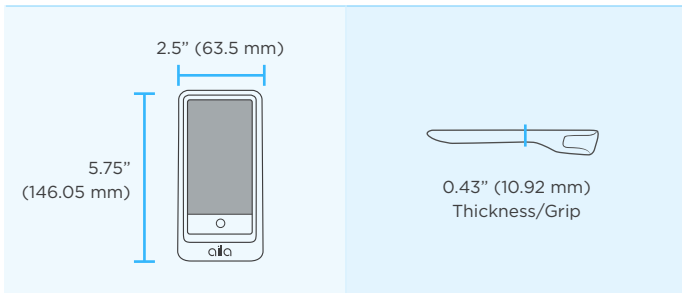
<60 min recharge with standard USB to Lightning connector

DUAL TRIGGER

Intuitively placed dual scan buttons for left or right handed scanning



DIMENSIONS



SYMBOLOGIES

Codabar, Code 39, Code 93, Code 128, Interleaved 2 of 5, GS1 DataBar, PDF417, QR Code, UPC/EAN/JAN

SELECT ADVANCED SYMBOLOGIES

Aztec Code, Data Matrix, GS1 Composite, MaxiCode, MicroPDF, Micro QR (More available, *Requires additional licensing.*)

FEEDBACK

- VIBRATION: Integrated haptic motor
- VISUAL: White light LED flash
- ACOUSTIC: Integrated speaker

SDK COMPATIBILITY

Native iOS; Cordova; Xamarin; React Native

DURABILITY

Exceeds MIL-STD-810G Drop Standard (4' on concrete)

COMPLIANCE

FCC, EMI, RoHS

TRUESCAN™

Advanced image-based scanning enhances speed and accuracy

- SCANNING SPEED: <100 ms continuous mode
- SCANNING RANGE: 2-16"
- FIELD OF VIEW: 35H° X 35V°
- AIMING & ILLUMINATION: LED red-dot broad spectrum illumination

MECHANICAL

- COMPATIBILITY: iPod touch 6 and iPod touch 7
- WEIGHT: 64g (2.26oz)
- CHARGING: Lightning cable

PROCESSOR

ARM™ Cortex-M series

ENVIRONMENT

- OPERATING: 0° - 35° C (32° - 95° F)
- STORAGE: -10° - 45° C (14° - 113° F)

SOLUTIONS



BOPIS



Clienteling



Check-in



Price Checking



Inventory



Line Busting

INDUSTRIES WE SERVE



RETAIL



HEALTHCARE



GROCERY



FINANCIAL



HOSPITALITY



TRAVEL